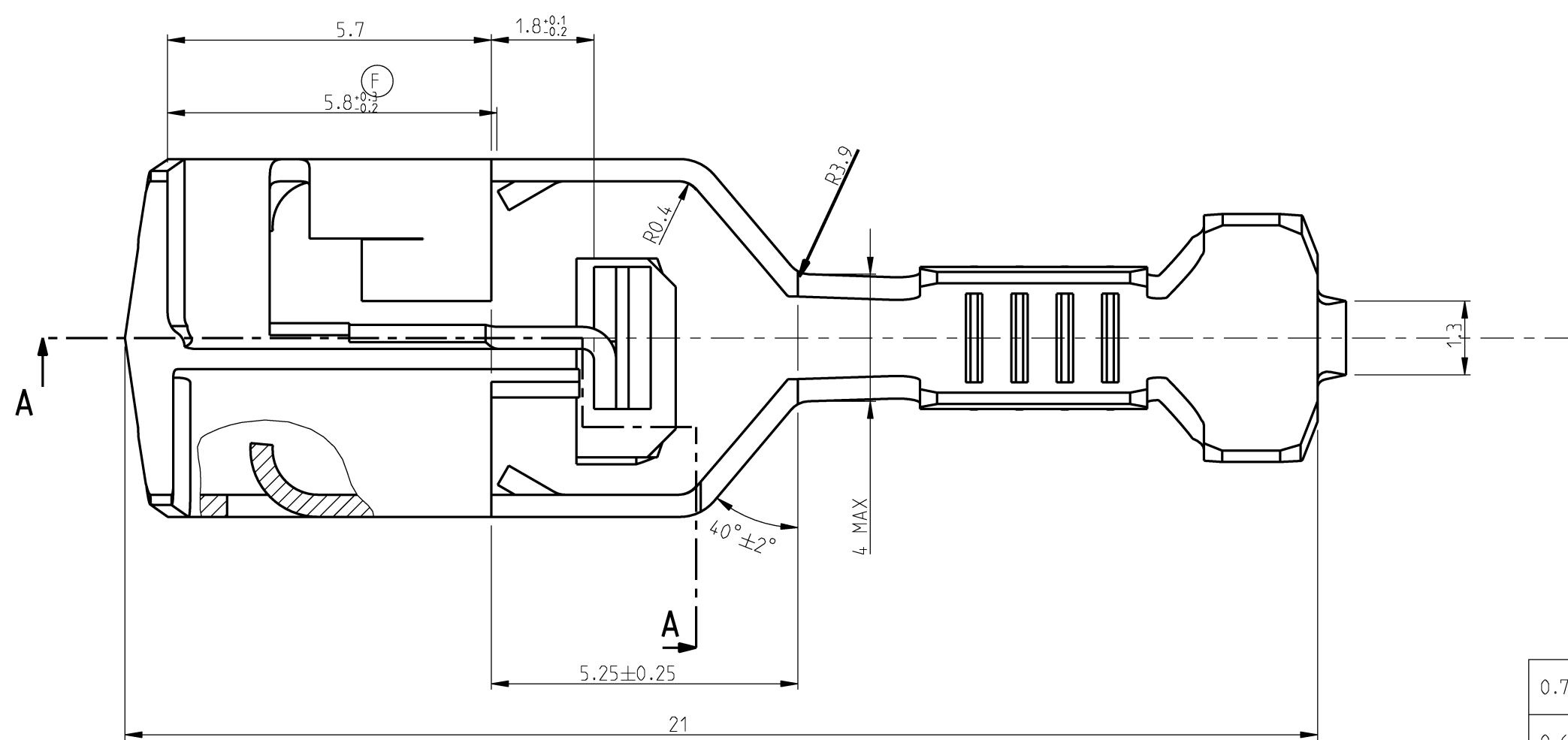
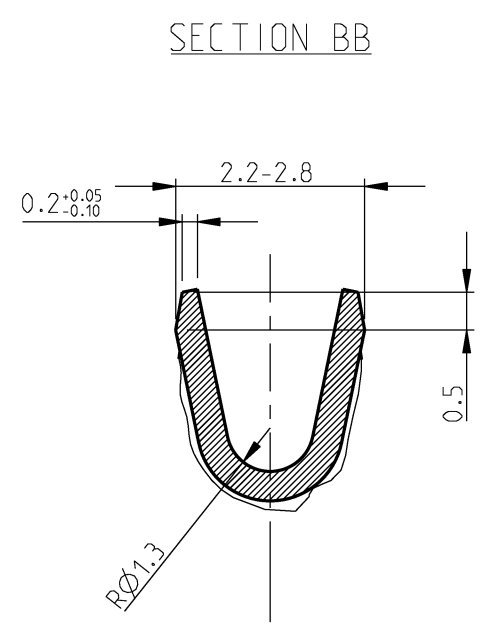
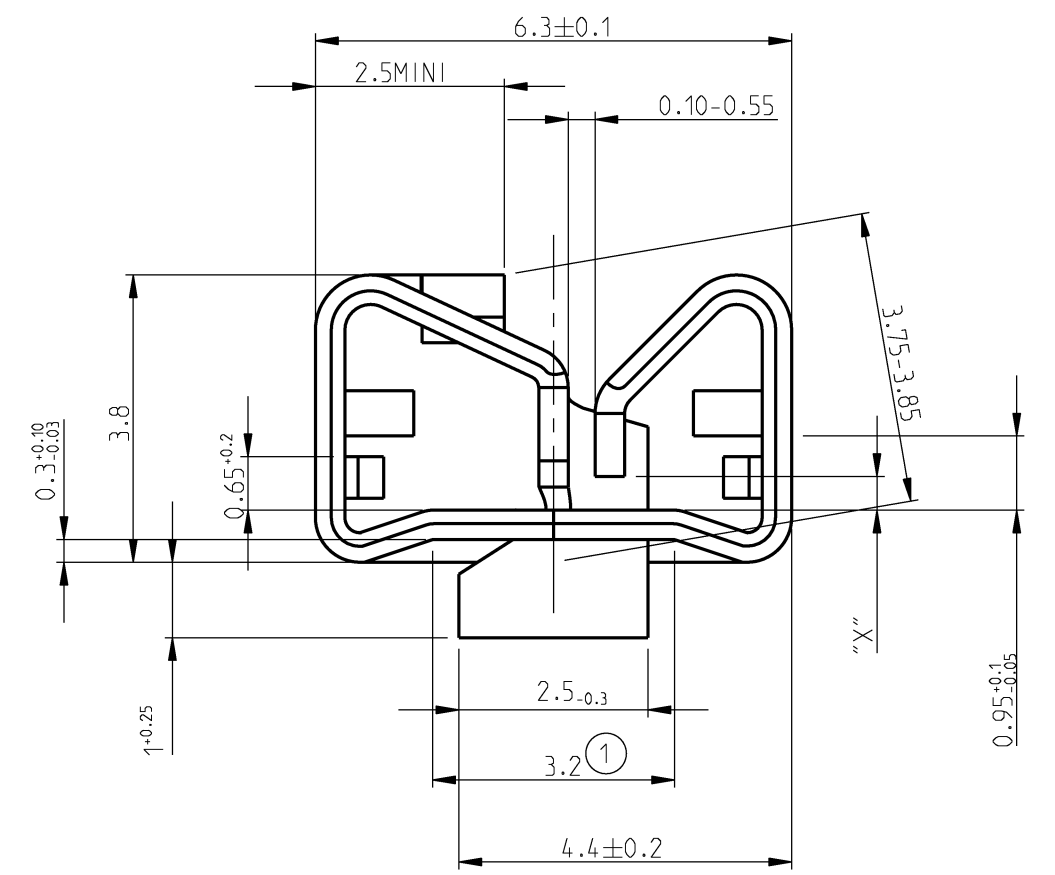
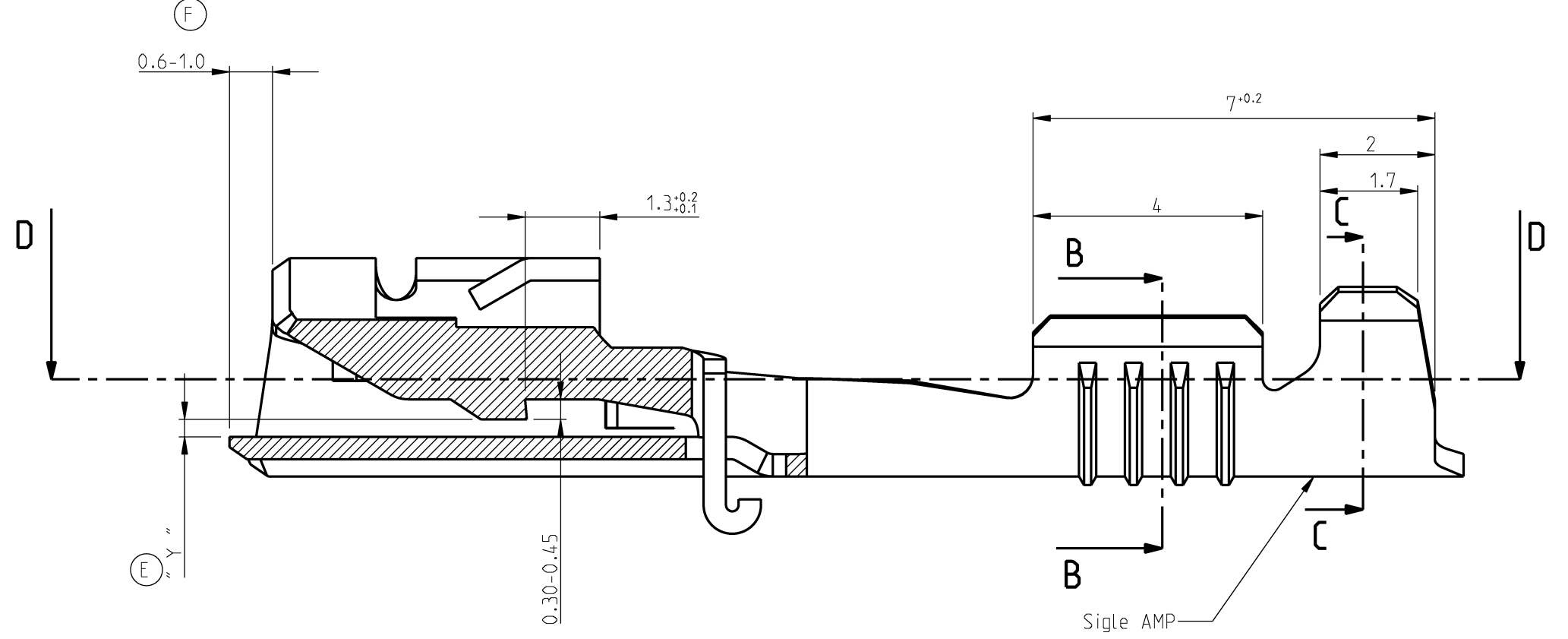
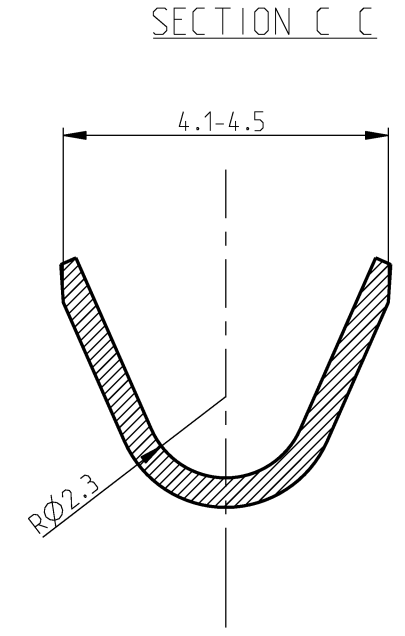


THIS DRAWING IS UNPUBLISHED. RELEASED FOR PUBLICATION  
 © COPYRIGHT copyright\_date BY TYCO ELECTRONICS CORPORATION. ALL RIGHTS RESERVED.

LOC	DIST	REVISIONS					
F	00	P	LTR	DESCRIPTION	DATE	DWN	APVD
		J		REVISED	05JUL2007	RP	JPP
		J1		DRAWING CLARIFICATION	08OCT2009	GM	CG



SECTION D-D  
SCALE 10:1

0.72	0.45	1-141991-2	LAITON/BRASS UZ 15	POST-ETAME / POST-TIN Thickness = 3 µm max
0.60	0.30	1-141991-1	LAITON/BRASS UZ 15	BRUT / PLAIN
0.63	0.30	141991-3	LAITON/BRASS UZ 15	PRE-ETAME / PRE-TIN Thickness = 3 µm max
0.63	0.30	141991-2	LAITON/BRASS UZ 15	POST-ETAME / POST-TIN Thickness = 3 µm max
0.63	0.30	141991-1	LAITON/BRASS UZ 15	BRUT / PLAIN
X±0.1	Y±0.2	REFERENCE DE LA PIECE/ TE PN	MATIERE/MATERIAL	FINITION / FINISH

THIS DRAWING IS A CONTROLLED DOCUMENT FOR TYCO ELECTRONICS CORPORATION IT IS SUBJECT TO CHANGE AND THE CONTROLLING ENGINEERING ORGANIZATION SHOULD BE CONTACTED FOR THE LATEST REVISION.		DWN R PATIN 21/03/06 CHK JP PICAUD 21/03/06 APVD J DAHER 21/03/06	Tyco Electronics TYCO ELECTRONICS France SAS BP 39, 95301 CERGY PONTOISE Cedex
DIMENSIONS: mm	TOLERANCES UNLESS OTHERWISE SPECIFIED: 0 PLC ± 1 PLC ±0.1 2 PLC ±0.10 3 PLC ±0.001 4 PLC ±0.0001 ANGLES ±5° FINISH	PRODUCT SPEC APPLICATION SPEC WEIGHT	NAME POSITIVE LOCK 5mm SERIES
MATERIAL VOIR TABLEAU	FINISH VOIR TABLEAU	CUSTOMER DRAWING	SIZE A2 CAGE CODE 00779 DRAWING NO C-141991 RESTRICTED TO
SCALE 10:1		SHEET 1 OF 1	REV J1