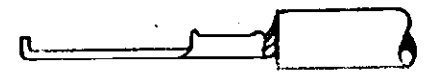


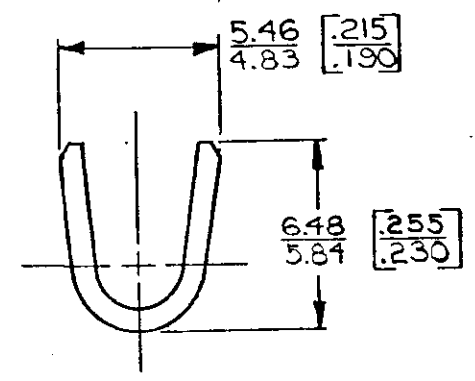
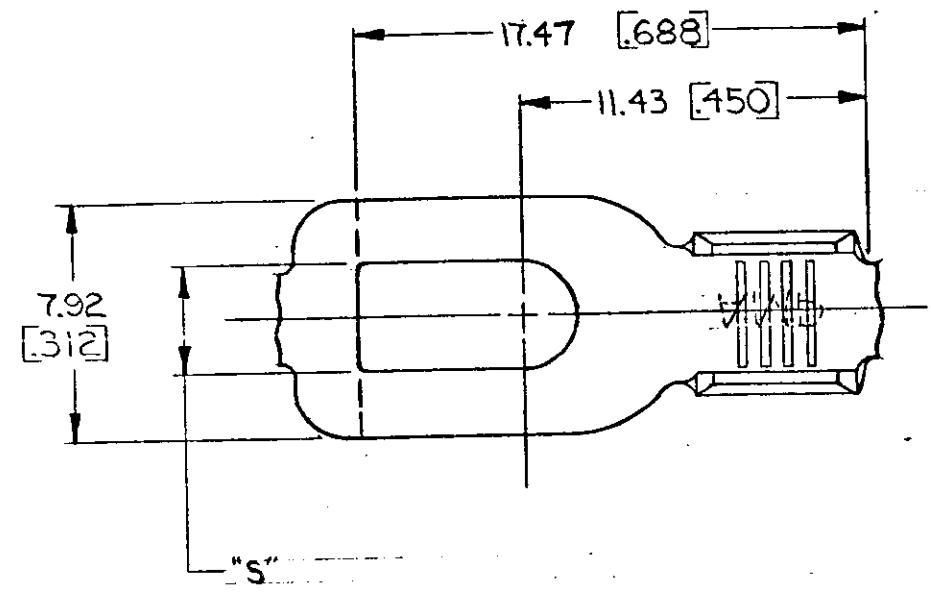
4 DRAWING MADE IN THIRD ANGLE PROJECTION

© COPYRIGHT 1968 BY AMP INCORPORATED, HARRISBURG, PA. ALL INTERNATIONAL RIGHTS RESERVED. AMP INCORPORATED PRODUCTS COVERED BY U. S. AND FOREIGN PATENTS AND/OR PATENTS PENDING.

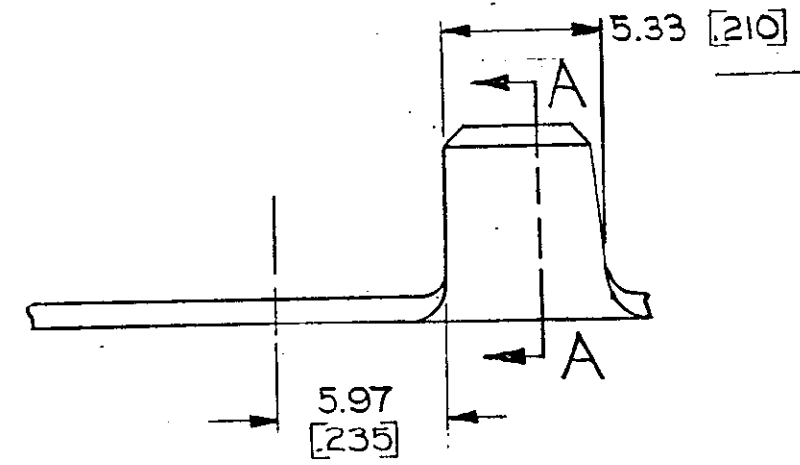
REVISIONS					
P	ZONE	LTR	DESCRIPTION	DATE	APPROVED
✓		A	REDRAWN & REVISED A-3943 L.M.	1/5/78	SS/
✓		B	REVISED	AFD169	5/15/84
✓		C	OBS. - 4	AF-1556	7/10/86
✓		D	OBS. - 1	AF-3662	5/16/88
✓		E	REV PER AF-6785	7/5/90	PMF/91
✓		F	REV PER 0110-0090-97	2/16/87	PMF/84



FLANGED IN APPLICATOR



SECT A-A



4.34 [171]	M 4 #8	↑	SILVER	↑	42113-4A 42113-4
3.68 [145]	M 3.5 #6				
4.34 [171]	M 4 #8	↑	TIN	↑	42113-3A 42113-3
3.68 [145]	M 3.5 #6				
"S" ±0.07 [003]	STUD SIZE	3.0-5.0 mm ² [12-10]	FINISH	0.76 [030] BRASS	42113-2A 42113-2
					42113-1A 42113-1
					PART NO

- △ SUFFIX LETTER MUST BE USED ONLY WHEN ORDERING APPLICATOR TOOLING
- 2. CONTINUOUS STRIP ON REELS.
- 3. DIMENSIONS IN BRACKETS ARE IN INCHES

METRIC

UNLESS OTHERWISE SPECIFIED DIMENSIONS ARE IN INCHES mm TOLERANCES ON: DECIMALS ±0.38 [015] ANGLES ±1°	CONTRACT NO	AMP INCORPORATED Harrisburg, Pa.	
MATERIAL SEE TABLE	DR <i>L. Magano</i> 5/1/78	NAME SPADE	
FINISH SEE TABLE	CHK <i>S. Schaff</i> 11/20/78	SIZE B	CODE IDENT NO 00779
	APPR <i>R.D. Frantz</i> 8-10-78	DRAWING NO 42113	SHEET
	APPR <i>C. Zucko</i> 8-10-78	SCALE	
	DSGN APPD		
	OTHER APPD		

CUSTOMER DRAWING