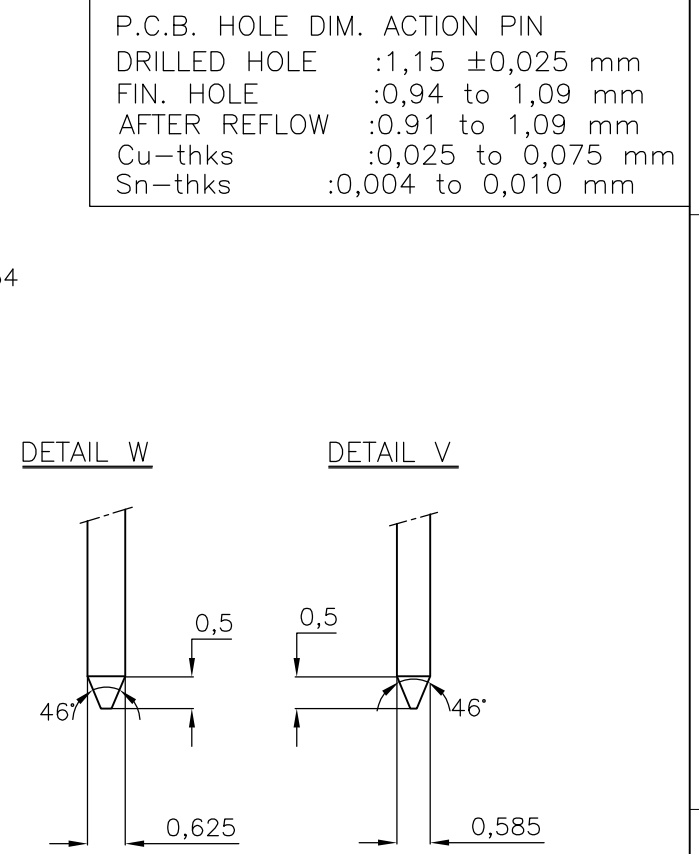
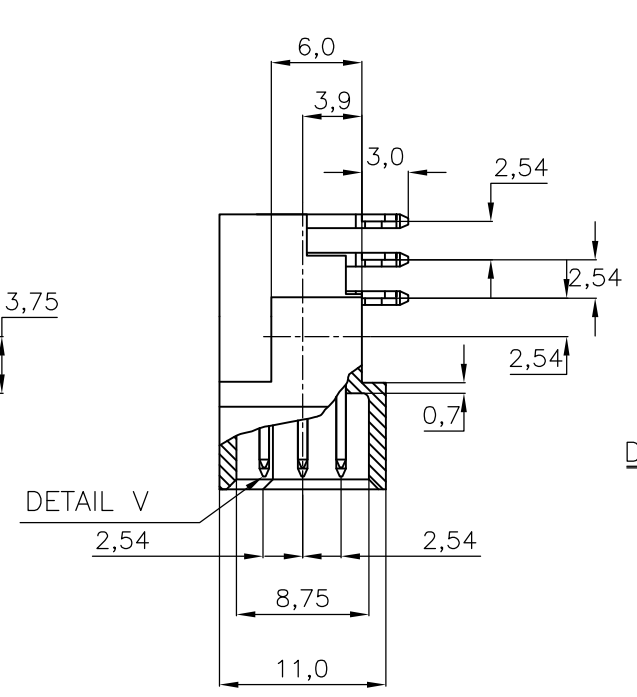
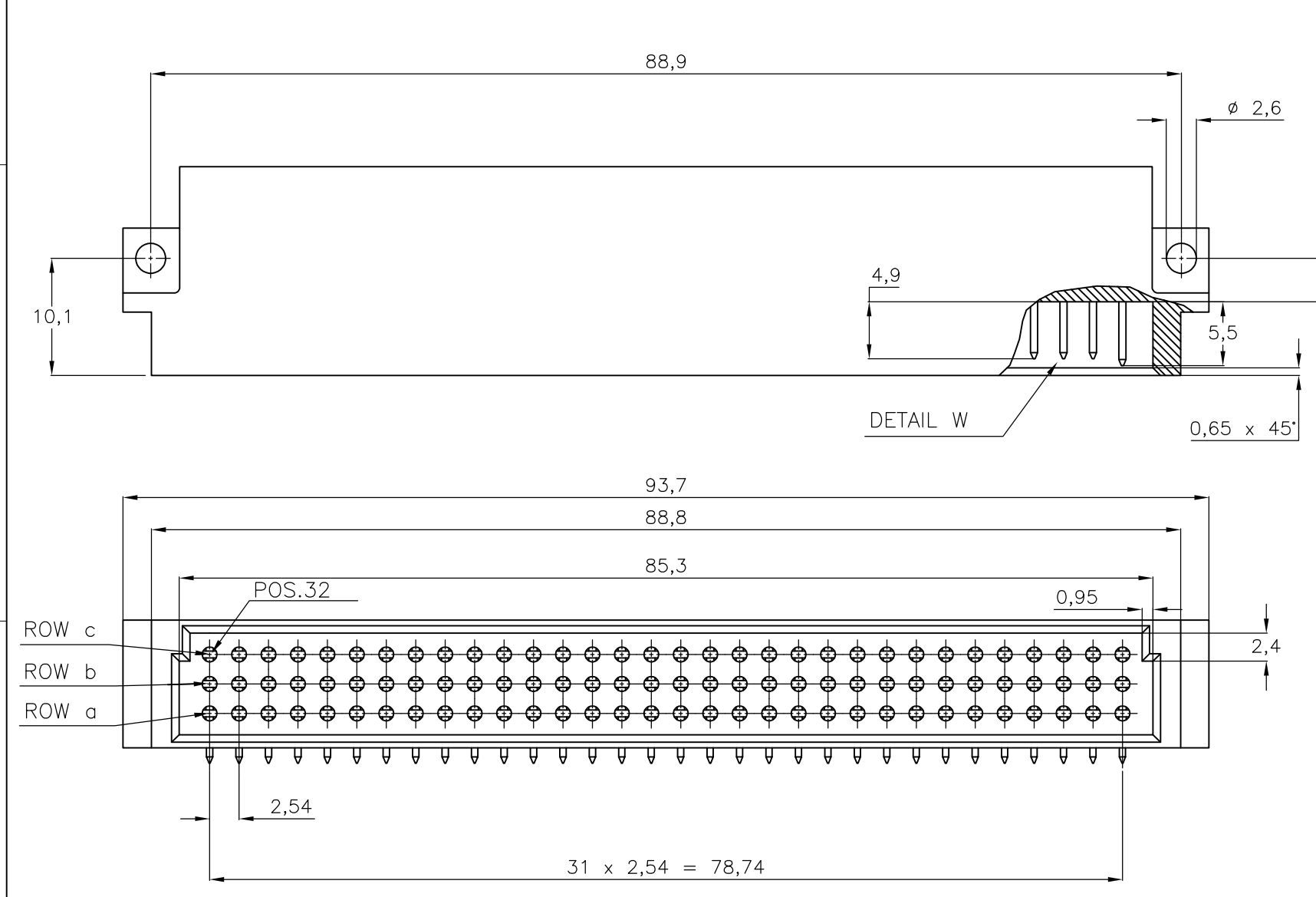
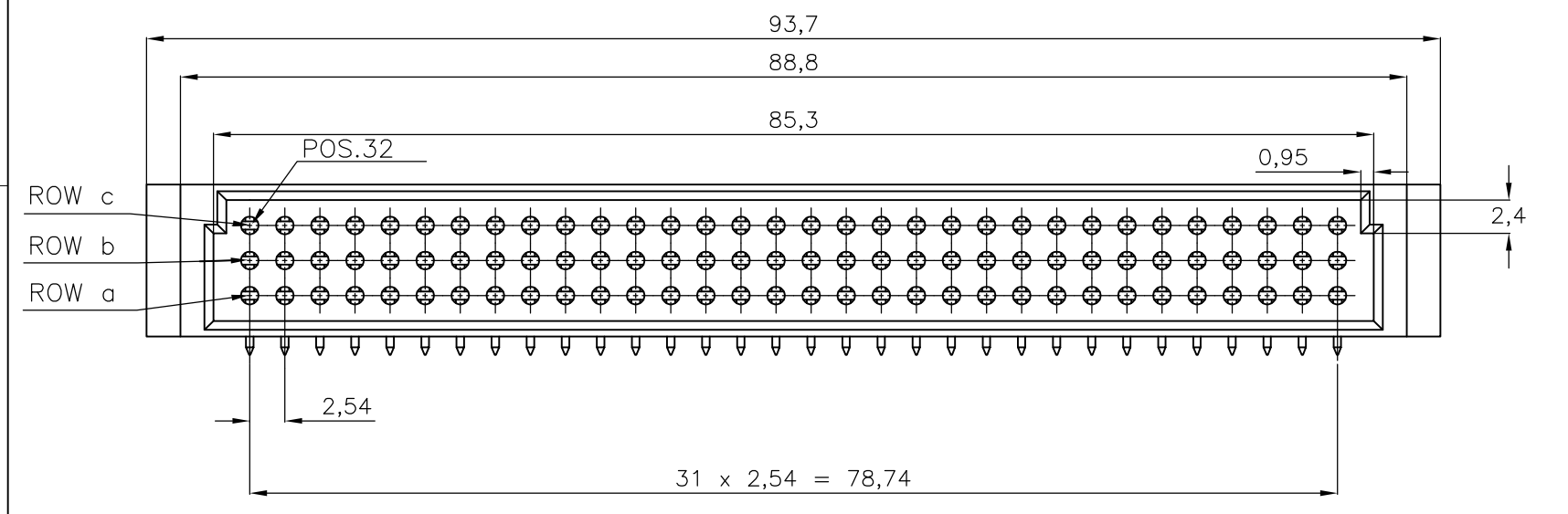


THIS DRAWING IS UNPUBLISHED. RELEASED FOR PUBLICATION
 © COPYRIGHT - BY TYCO ELECTRONICS CORPORATION. ALL RIGHTS RESERVED.

LOC	DIST	REVISIONS			
P	LTR	DESCRIPTION	DATE	DWN	APVD
H	-	A	EH00-0520-96	03-02-97	LvdH -
		B	EH-1792-98	03-11-98	LvdH -
		C	ECR-07-011431	05-06-07	BSVMKO



P.C.B. HOLE DIM. ACTION PIN
 DRILLED HOLE : 1,15 ± 0,025 mm
 FIN. HOLE : 0,94 to 1,09 mm
 AFTER REFLOW : 0,91 to 1,09 mm
 Cu-thks : 0,025 to 0,075 mm
 Sn-thks : 0,004 to 0,010 mm



ROW	32	31	30	29	28	27	26	25	24	23	22	21	20	19	18	17	16	15	14	13	12	11	10	9	8	7	6	5	4	3	2	1	
a	X	X	X	X	X	X	X	X	X	X	X	X	X	X	X	X	X	X	X	X	X	X	X	X	X	X	X	X	X	X	X	X	X
b	X	X	X	X	X	X	X	X	X	X	X	X	X	X	X	X	X	X	X	X	X	X	X	X	X	X	X	X	X	X	X	X	X
c	X	X	X	X	X	X	X	X	X	X	X	X	X	X	X	X	X	X	X	X	X	X	X	X	X	X	X	X	X	X	X	X	X

AN ASTERISK „X” DENOTES A SIGNAL CONTACT.
 AN ASTERISK „⊗” DENOTES A F.M.L.B. CONTACT.

- NOTES:**
- 1 MATERIAL:
 -HOUSING: THERMOPL.POLYESTER
 COLOUR : GREY
 -CONTACTS: PHOSPHORBRONZE
 - 2 PLATING CONTACT :
 0- -1 : 1,25 μm Au OVER 1,25 μm Ni AT CONNECTOR MATING SIDE.
 2,54 μm Sn OVER 1,25 μm Ni AT ACTION-PIN AREA.
 0- -4 : AT CONTACT AREA 0,8μm Au OVER 1,25 μm NICKEL
 AT ACTION-PIN AREA 2,5 μm Sn OVER 1,25 μm NICKEL

OBSOLETE	SEE NOTE 2	SEE NOTE 1	6-106278-8
OBSOLETE	SEE NOTE 3	SEE NOTE 1	106278-4
	SEE NOTE 2	SEE NOTE 1	106278-1
	FINISH	MATERIAL	PARTNUMBER

THIS DRAWING IS A CONTROLLED DOCUMENT.		DWN R.v.LOKVEN 23MAR93	Tyco Electronics Corporation 's-Hertogenbosch, Nederland	
DIMENSIONS: mm		CHK J.GIBBELS	NAME	
TOLERANCES UNLESS OTHERWISE SPECIFIED:		APVD R.SMEETS	96 POS. DIN 41612 TYPE C MALE ACTION PIN CONNECTOR FOR 1,6 P.C.B. THK'S WITH F.M.L.B. CONTACTS	
0 PLC ± -		PRODUCT SPEC	SIZE	CAGE CODE
1 PLC ± -		APPLICATION SPEC	DRAWING NO	
2 PLC ± -		WEIGHT	RESTRICTED TO	
3 PLC ± -			A3 00779 C-106278	
4 PLC ± -			SCALE	SHEET
ANGLES ± RG			NTS	1 OF 1
FINISH			REV	C
MATERIAL		CUSTOMER DRAWING		